

SwarfMaster

Supplied by:
 Mastergrave
 Tel: +44(0)1234 218226
 Web: www.mastergrave.co.uk

The Swarf master extraction unit has been developed for the safe and effective removal of swarf and smaller particles during processes such as routing, mechanical engraving, grinding and lathing.



One of the main problems with other router extraction units relates to the type of pump used. Most have brushed motors which are noisy in operation and frequently burn out, with the average life of brushes being around 800 hours. The pump in the Swarf Master is brushless and designed for continuous running with a minimum 30,000 hours before servicing. It generates higher vacuums and is quiet in operation. The large capacity bag filter has a very high efficiency and can easily be emptied and reused.



Carcass

Main body, central support, door and base are brushed stainless steel or powdered coated mild steel.

Connection inlet size as per customer requirement

Weight: 40kg

Electrics

230v 1ph 50/60hz or (110v 60/50hz)

3 metres hard wired power cable

Fuse Rating 5 Amps

Full Load current: 3.1 amps

Blower/Pump

30,000 hours life

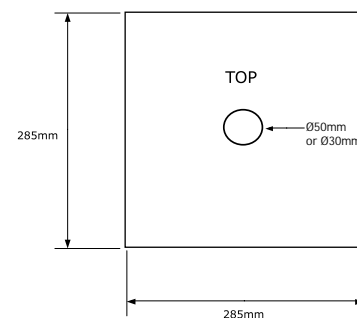
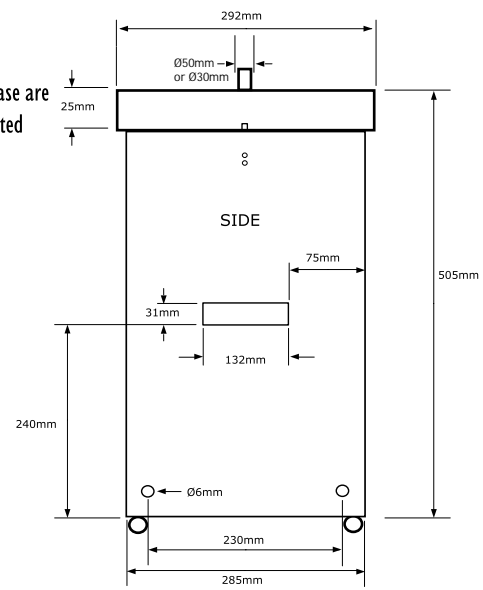
80m³/hr 0.37kW

Brushless motor

110 mbar

Standard Filter Set

Bag Filter



£425.00

Prices at June 2015, subject to vat @ 20%.